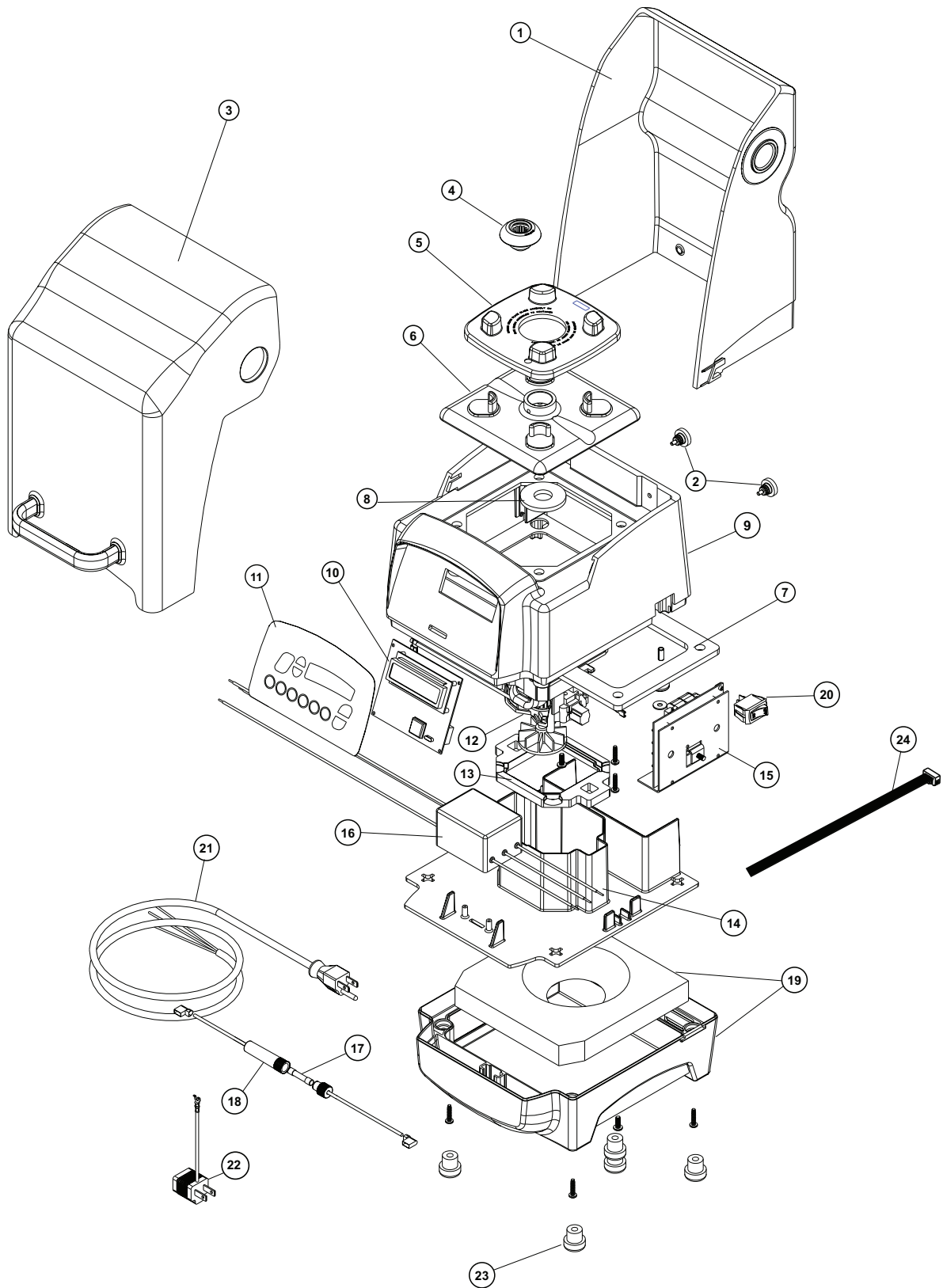


# On-Counter Blending Station® Advance



# **On-Counter Blending Station® Advance Parts List – 100V (Japan), 120V, 120V (Taiwan), 120V EMC (Taiwan), 220/240V**

| <b>NO.</b> | <b>NEW<br/>PART NO.</b> | <b>OLD<br/>PART NO.</b> | <b>DESCRIPTION</b>                                 | <b>VOLTAGE</b>        | <b>QTY./<br/>PACK</b> |
|------------|-------------------------|-------------------------|--|-----------------------|-----------------------|
| 1          | 18008                   | 18008                   | Compact Back Cover only                            | All                   | 1                     |
| 2          | 18005                   | 18005                   | Thumbscrews for Back Cover (2)                     | All                   | 2                     |
| 3          | 18007                   | 18007                   | Compact Door Cover only                            | All                   | 1                     |
| 4          | 891                     | 891                     | Drive Socket Assembly                              | All                   | 1                     |
| 4          | 15546                   | 15546                   | Drive Socket Assembly (Set of 2)                   | All                   | 2                     |
| 4          | 15547                   | 15547                   | Drive Socket Assembly (Set of 5)                   | All                   | 5                     |
| 5          | 15579                   | 15579                   | XP Centering Pad                                   | All                   | 1                     |
| 6          | 15771                   | CST105                  | Top Motor Plate                                    | All                   | 1                     |
| 7          | 15772                   | FOM164                  | Thick Top Motor Plate Gasket                       | All                   | 1                     |
| 8          | 15773                   | FOM163                  | Donut Gasket                                       | All                   | 1                     |
| 9          | 15774                   | PLS160                  | On-Counter Upper Housing                           | All                   | 1                     |
| 10         | 15775                   | n/a                     | Low Voltage Board Assembly (includes Memory Cable) | All                   | 1                     |
| 11         | 15819                   | CTL197                  | On-Counter Touch Pad                               | All                   | 1                     |
| 12         | 15685                   | ASY200                  | Motor Assembly 3 HP                                | 220/240V              | 1                     |
| 12         | 15681                   | ASY198                  | Motor Assembly 3 HP                                | 100/120/120V EMC      | 1                     |
| 13         | 15778                   | FOM161                  | Motor Gasket                                       | All                   | 1                     |
| 14         | 15779                   | PLS164                  | Motor Shroud                                       | All                   | 1                     |
| 15         | 15780                   | CTL173                  | High Voltage Board Assembly                        | 120/120V EMC/220/240V | 1                     |
| 15         | 15781                   | CTL170                  | High Voltage Board Assembly                        | 100V                  | 1                     |
| 16         | 15739                   | CTL509                  | EMI Filter   | 220/240V              | 1                     |
| 16         | 15741                   | CTL515                  | EMI Filter   | 120V EMC              | 1                     |
| 17         | 15782                   | CTL172                  | 8 Amp Fuse   | 220/240V              | 1                     |
| 18         | 15783                   | ASY165                  | Fuse Holder  | 220/240V              | 1                     |
| 19         | 15784                   | ASY160                  | On-Counter Lower Housing                           | All                   | 1                     |
| 20         | 15785                   | CTL805                  | On/Off Rocker Switch                               | 220/240V              | 1                     |
| 20         | 15786                   | CTL800                  | On/Off Rocker Switch                               | 100/120V              | 1                     |
| 21         | By Country              | By Country              | Power Cord   | 220/240V              | 1                     |
| 21         | 15738                   | PLG133                  | Power Cord   | 120V EMC              | 1                     |
| 21         | 15787                   | PLG134                  | Power Cord   | 100/120V              | 1                     |
| 22         | 15745                   | CTL125                  | Japanese Adapter                                   | 100V                  | 1                     |
| 23         | 794                     | 794                     | Rubber Feet (4)                                    | All                   | 4                     |
| 24         | 15746                   | n/a                     | Memory Cable                                       | All                   | 1                     |